

# COMPONENT SPECIFICATION

DESCRIPTION: HEAT EXCHANGER



## CHARACTERISTICS: USA06 - HEAT EXCHANGER

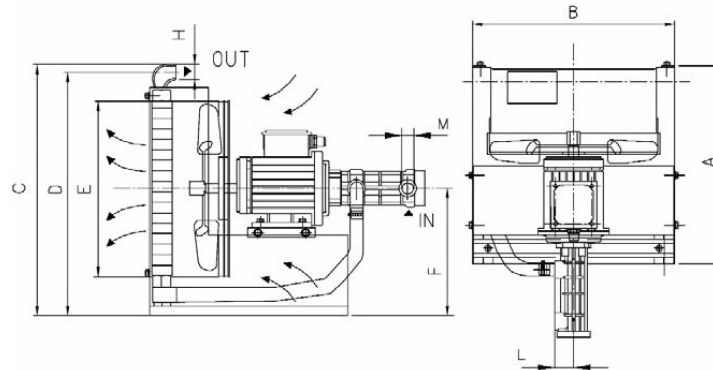
REVISION HISTORY				
RE	DESCRIPTION	DATE	APPROV	E.R.

### TECHNICAL SPECIFICATIONS:

- VOLTAGE: 115 - 230V - 60Hz, DUAL/SINGLE PHASE (CSA/UL APPROVED)
- ADJUSTABLE PRE MOUNTED THERMOSTAT (CSA/UL APPROVED)
- ELECTRICAL PANEL(230V) - CODE:1QE#0
- FITTINGS:
- OUT: 1" STRAIGHT BRASS - CODE:1PTRG#D001
- IN: 1" 3 PIECE ELBOW - CODE:1RTPC1
- EXTRA FITTINGS:
- (2x) 1 1/4" 3 PIECE ELBOW - CODE 1RTPC2

OPERATING FEATURES		
DISPERSION Dt=63°F (AMBIENT=68°F)	BTU	23810
PUMP FLOW RATE	USGPM	9.5
RUNNING SPEED	RPM	1750
AVERAGE NOISE LEVEL	Db(A)	67
WEIGHT	LBS	77
MIN-MAX OIL TEMP	°F	68-150
MAX ADMITTED PRESSURE	PSI	58
REQUIRED NpsH	PSI	-5.8

ACCESSORIES		
DESCRIPTION	CODE	QTY
HOSE SAE 100 R4 1 1/4"	1TG	10m
HOSE CLAMP S 35-50 /12	1XA#NS	4
HOSE FIXATION COLLARØ40	1COLFI40	8
COLLAR FIXATION Ø6x30	1TASS#06030	8



OVERALL DIMENSIONS									
A	B	C	D	E	F	H	L	M	
23.08	16.04	20.84	20.00	14.00	11.32	1" BSP	1.76	1" BSP	

NOTE: INDICATE PART No. AND PURCHASE ORDER No. ON PACKAGING

SPECIFIED BY: A.L.	DATE: 27-JULY-10	PAGE No. 1 OF 1	PART No. 801006
-----------------------	---------------------	--------------------	--------------------