

# COMPONENT SPECIFICATION

DESCRIPTION: HEAT EXCHANGER



## CHARACTERISTICS: USA14 - HEAT EXCHANGER

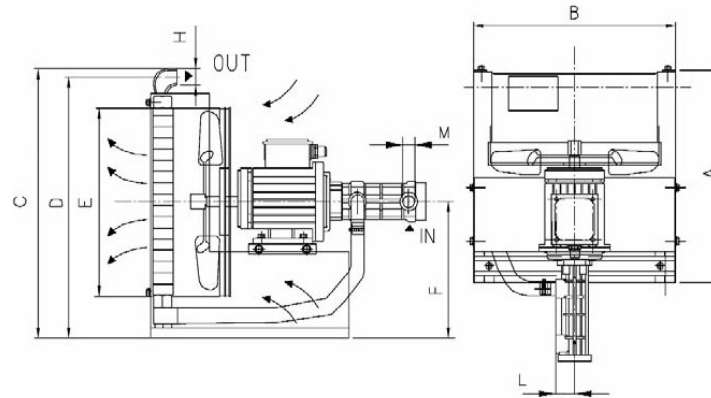
REVISION HISTORY					
RE	DESCRIPTION	DATE	REVISED	APPR. BY	E.R.
1	ELECTRICAL PANEL WAS 220	16-MAR-12	A.L.	J.R.	506

### TECHNICAL SPECIFICATIONS:

- VOLTAGE: 115 - 230V - 60Hz, DUAL/SINGLE PHASE (CSA/UL APPROVED)
- ADJUSTABLE PRE MOUNTED THERMOSTAT (CSA/UL APPROVED)
- ELECTRICAL PANEL(110V) - CODE:1QE#K
- FITTINGS:  
OUT: 1 1/4" 3 PIECE ELBOW - CODE:1RTPC2  
IN: 1" 3 PIECE ELBOW - CODE:1RTPC1
- EXTRA FITTINGS:  
(2x) 1 1/4" 3 PIECE ELBOW - CODE 1RTPC2

OPERATING FEATURES		
DISPERSION Dt=63°F (AMBIENT=68°F)	BTU	55556
PUMP FLOW RATE	USGPM	17.4
RUNNING SPEED	RPM	1750
AVERAGE NOISE LEVEL	Db(A)	71
WEIGHT	LBS	121
MIN-MAX OIL TEMP	°F	68-150
MAX ADMITTED PRESSURE	PSI	58
REQUIRED NpsH	PSI	-5.8

ACCESSORIES		
DESCRIPTION	CODE	QTY
HOSE SAE 100 R4 1 1/4"	1TG	10m
HOSE CLAMP S 35-50 /12	1XA#NS	4
HOSE FIXATION COLLARØ40	1COLFI40	8
COLLAR FIXATION Ø6x30	1TASS#06030	8



OVERALL DIMENSIONS									
A	B	C	D	E	F	H	L	M	
25.00	26.40	29.60	28.00	22.60	15.20	1" BSP	1.56	1 1/4" BSP	

NOTE: INDICATE PART No. AND PURCHASE ORDER No. ON PACKAGING

SPECIFIED BY: A.L.	DATE: 27-JULY-10	PAGE No. 1 OF 1	PART No. 801014
-----------------------	---------------------	--------------------	--------------------